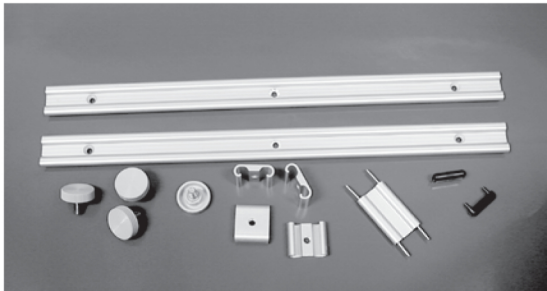
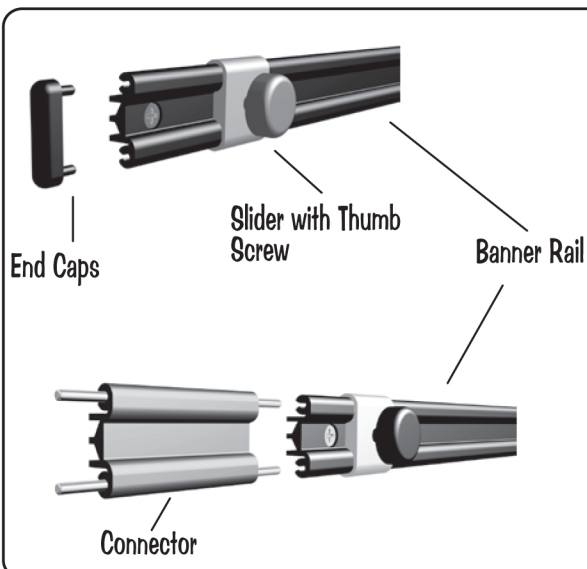
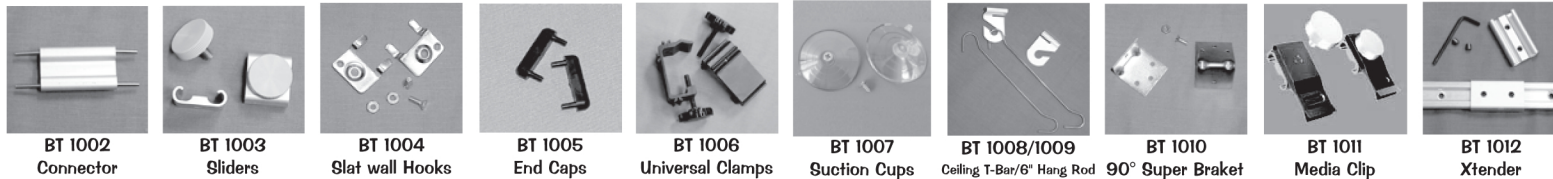


# BANNER TRAK INSTALLATION



**BTK 1000  
Banner Trak Kit**  
(2) 4' Sections, (1) BT 1002,  
(4) BT 1003, (1) BT 1005

Instructions  
for wall mounting  
Banner Trak Kits  
for a banner  
or sign.

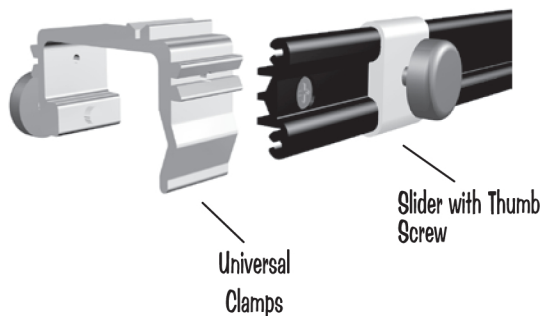


1. Using a level, mount a trak to any smooth surface using screws on corresponding mounting holes.

Use the connector to join trak together to continue to desired length.

2. Place sliders on trak corresponding to holes in the banner or sign. Insert thumbscrews through grommets or holes in banner or sign face and tighten.

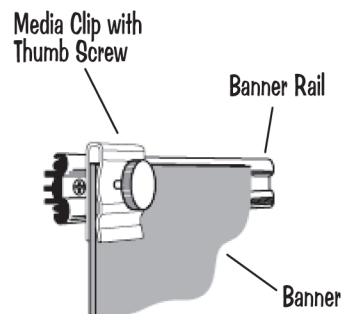
Once a trak is installed you can replace banners, signs, etc. in seconds by loosening screws, and replacing banner or sign face. Banners or signs will always hang straight.



The Banner Trak can also be hung with specially designed hangers on any horizontal or vertical location such as convention booth pipe and drape, swap meet booths, and table tops, doors, partitions, pop-up tents, etc. The convention clip has (3) three mounting positions for mounting the Banner Trak making it extremely universal.

Simply mount hangers and screw the Banner Trak onto hangers using number 8 flat head screws.

The Banner Trak can also be used with banners without grommets. Simply attach Media Clips, fasten down banner, and slide onto Banner Trak and you are ready to hang banners, signs, posters, etc.



Distributed by:



How Are You  
Going To  
Hang  
it Up?