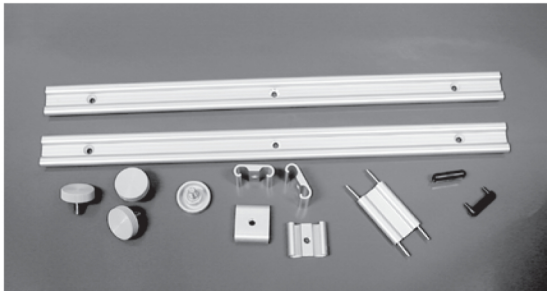
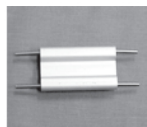


BANNER TRAK INSTALLATION



**BTK 1000
Banner Trak Kit**
(2) 4' Sections, (1) BT 1002,
(4) BT 1003, (1) BT 1005

Instructions
for wall mounting
Banner Trak Kits
for a banner
or sign.



BT 1002
Connector



BT 1003
Sliders



BT 1004
Slat wall Hooks



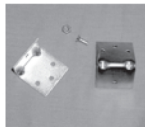
BT 1005
End Caps



BT 1006
Universal Clamps



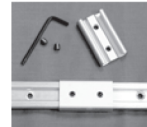
BT 1008/1009
Ceiling T-Bar/6" Hang Rod



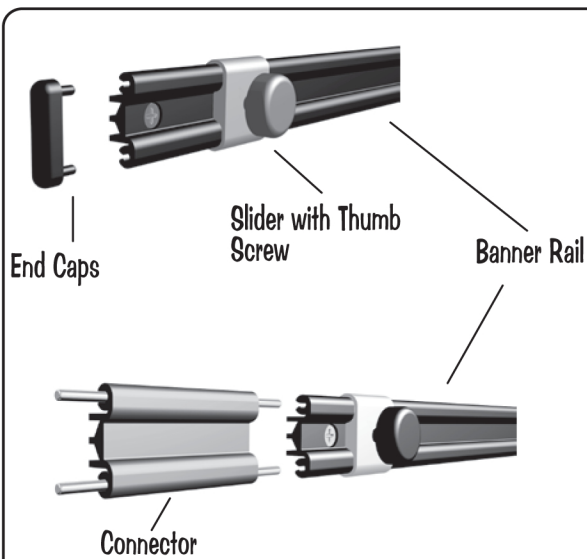
BT 1010
90° Super Bracket



BT 1011
Media Clip



BT 1012
Xtender

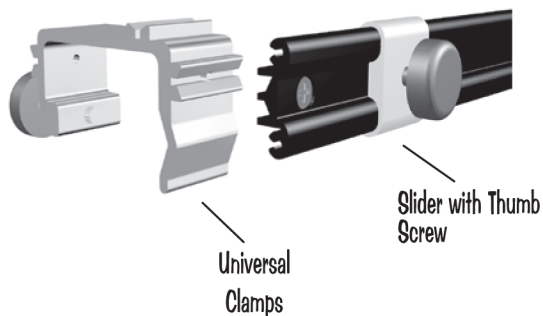


1. Using a level, mount a trak to any smooth surface using screws on corresponding mounting holes.

Use the connector to join trak together to continue to desired length.

2. Place sliders on trak corresponding to holes in the banner or sign. Insert thumbscrews through grommets or holes in banner or sign face and tighten.

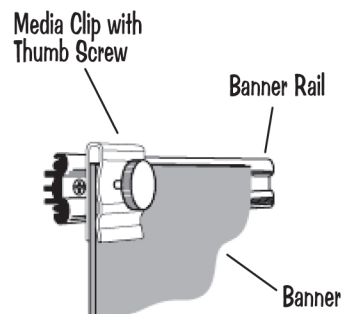
Once a trak is installed you can replace banners, signs, etc. in seconds by loosening screws, and replacing banner or sign face. Banners or signs will always hang straight.



The Banner Trak can also be hung with specially designed hangers on any horizontal or vertical location such as convention booth pipe and drape, swap meet booths, and table tops, doors, partitions, pop-up tents, etc. The convention clip has (3) three mounting positions for mounting the Banner Trak making it extremely universal.

Simply mount hangers and screw the Banner Trak onto hangers using number 8 flat head screws.

The Banner Trak can also be used with banners without grommets. Simply attach Media Clips, fasten down banner, and slide onto Banner Trak and you are ready to hang banners, signs, posters, etc.



Distributed by:



How Are You
Going To
Hang
it Up?