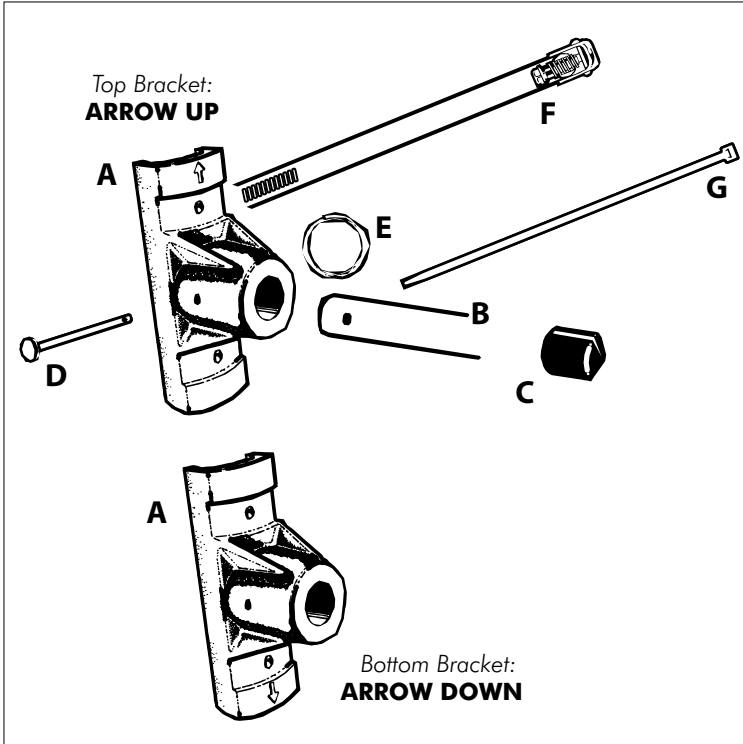


ASSEMBLY INSTRUCTIONS

- 1 Place fiberglass reinforced rod **B** firmly into aluminum bracket base **A**. Twist until through holes line up.
- 2 Take clevis pin **D** and insert through hole. **Note:** The bracket and rod are drilled to a tight tolerance to insure long life. You may have to tap the clevis pin in with a hammer or mallet to clear any drilling burrs.
- 3 Thread kickout ring **E** through hole in clevis pin to secure.
- 4 Place protective rubber cap **C** on end of rod.
- * 5 Locate top bracket to desired height on pole, with arrow facing upward. Place two band clamps **F** around bracket and tighten only with a screw driver.
- * 6 Measure distance for bottom bracket placement with arrow facing downward. This arrow placement is very important to achieve proper tensioning! If the arrows are not pointing up at the top bracket and down on the bottom bracket your banners will not fit properly.
- 7 Slide your banner's pole pockets over the top and bottom fiberglass reinforced rod and fasten using the nylon tie.
- 8 Fasten bottom of the banner with nylon tie.

Note: If you are installing double sets follow all of the above procedures except using two brackets top and bottom, parallel to each other on the pole. To assure that the brackets remain together, use just 2 band clamps **F** to secure each pair to the pole (Step 5) You may find it easier to install the brackets first and then put the reinforced fiberglass rods into the brackets.



PARTS LIST

Single Bracket Set

- 18" Single Bracket - Part #AS18
- 24" Single Bracket - Part #AS24
- 30" Single Bracket - Part #AS30
- 36" Single Bracket - Part #AS36
- 42" Single Bracket - Part #AS42

- 2 - **A** aluminum bracket bases
- 2 - **B** fiberglass reinforced rods
- 2 - **C** protective rubber caps
- 2 - **D** clevis pins
- 2 - **E** kickout rings
- 4 - **F** HD stainless steel 40" Band clamps
- 2 - **G** nylon ties

Double Bracket Set

- 18" Double Bracket - Part #AD18
- 24" Double Bracket - Part #AD24
- 30" Double Bracket - Part #AD30
- 36" Double Bracket - Part #AD36
- 42" Double Bracket - Part #AD42

- 4 - **A** aluminum bracket bases
- 4 - **B** fiberglass reinforced rods
- 4 - **C** protective rubber caps
- 4 - **D** clevis pins
- 4 - **E** kickout rings
- 4 - **F** HD stainless steel 40" Band clamps
- 4 - **G** nylon ties

NOTE: All clamps should be tightened with a screwdriver only! The use of electric or pneumatic tools over tighten clamp and will cause breakage. The use of these tools will void any and all warranties associated with the Versi-Bracket system.

